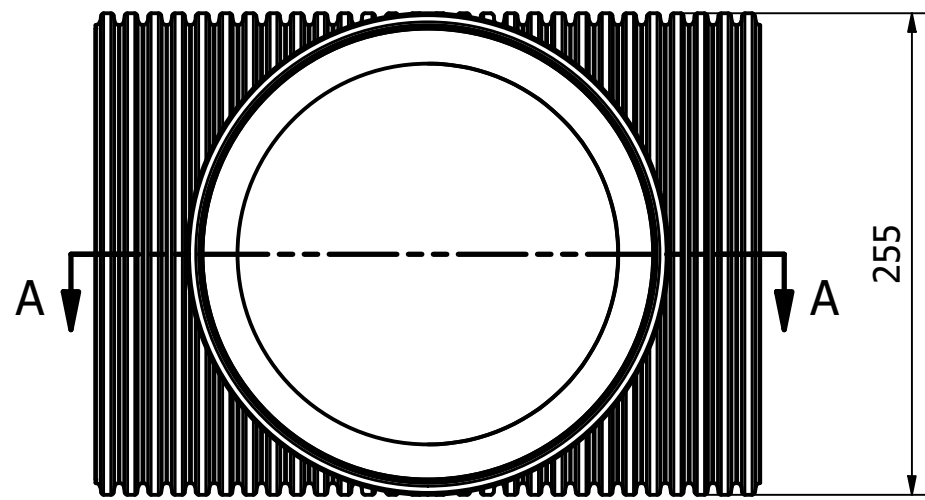
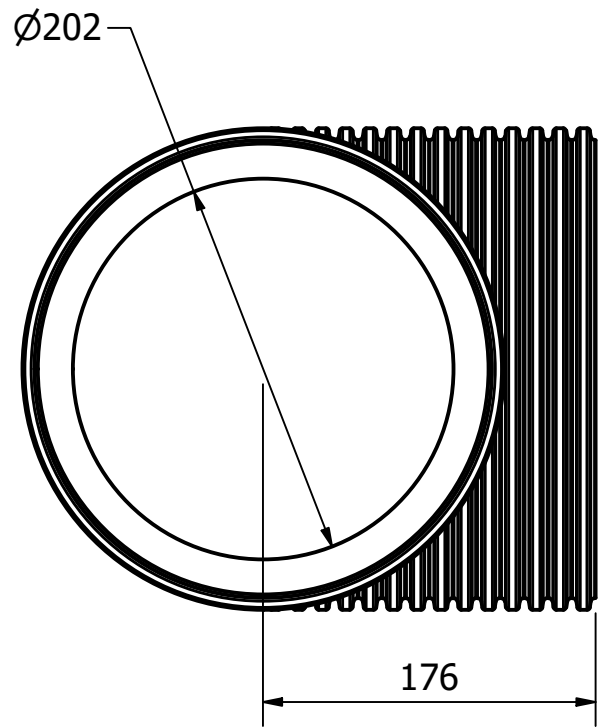
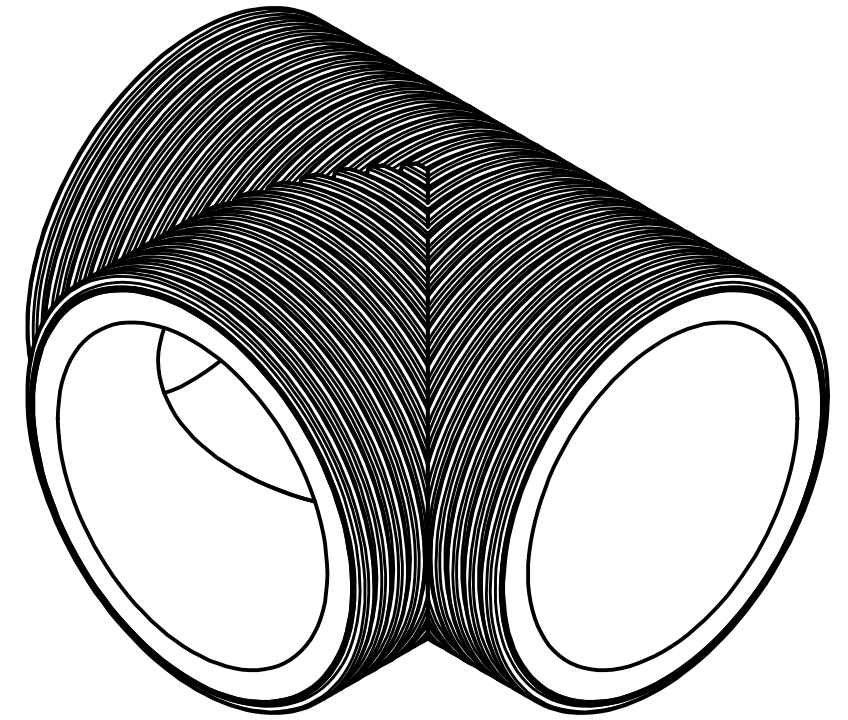
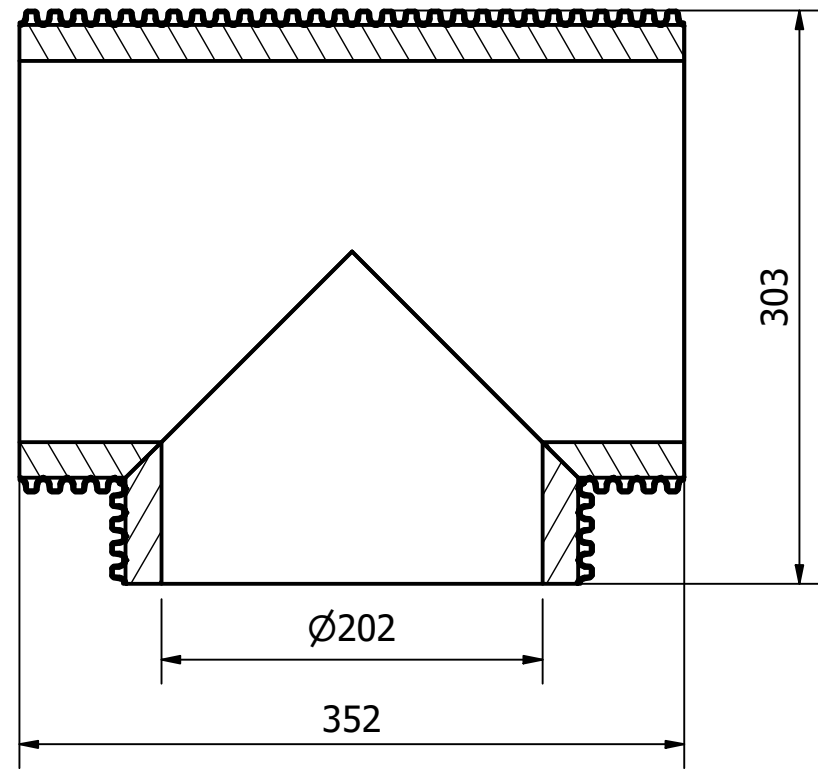


A-A (1 : 4)



PART NAME ISO+T 250-200 Z Geïsoleerd T-stuk Ø200							
DRAWING NUMBER VENTILAIR 2006001577			MATERIAL Generic		REVISION HISTORY		
					REV	DATE	DESCRIPTION
FABRICATION		COLOUR RAL 9005	SCALE 1 : 4	DATE 7-12-2020			
PROJ A-A		Tolerance (Unless otherwise stated)		UNITS	SIZE	DRAWN BY	
		From [mm] 0 30 300 Till [mm] 30 300 300+ Tot. [mm] ±0,1 ±0,4 ±0,8		mm	A3	RGI	
		Ang. ±1°				REVIEWED BY	
						Ventilair GROUP	